

ATLAS
EQUIPMENT CO.



BATTLE *M T N*
PUMPS



VC(R) Vertical Cantilever Slurry Pumps

“Got Slurry? We can handle it.”

BEARING & SHAFT ASSEMBLY:

Cantilever shaft design; no submerged lineshaft bearings
Grease-lubricated bearings w/double row taper thrust bearings & single roller radial bearing
Elastomer-lined shaft in Model VCR for abrasion & corrosion protection

COLUMN & DISCHARGE:

VC Metal Column
VCR Elastomer-Lined Column

CASING:

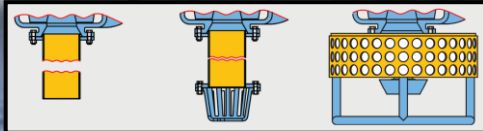
Hard Metal or Elastomer Lined
Elastomer-lined fasteners available

IMPELLER:

Hard Metal / Elastomer Lined
No Shaft Seals Required
Double-Suction to Eliminate Air Binding in pump casing
Adjustment by shimming between bearing housing & mounting plate

OPTIONAL:

- Tailpipe to Pump Deeper
- Agitator to fluidize slurry at inlet of pump



Built for

SEVERE

Model VC & VC(R) pumps are designed for the most severe applications:

- Abrasive / Corrosive Applications (Acidic)
- High Specific Gravity Service (Thick Slurry)
- Continuous, Severe Service (24/7 Operation)
- Solids Handling for up to 70% Concentration by Weight

MATERIALS OF CONSTRUCTION

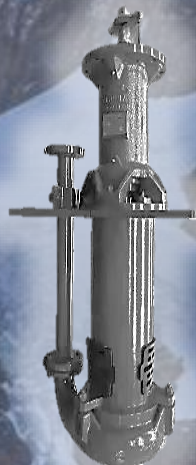
TRM	Model VC	Model VC(R)
Bearing Housing	Ductile Iron	Ductile Iron
Casing & Rear Liner	Hard Metal	Elastomer
Impeller	Hard Metal	Elastomer-Lined
Shaft	Mild Steel	Elastomer-Lined Mild Steel
Mounting Plate	Mild Steel	Mild Steel w/ Elastomer Coating
Strainers	DCI/Cast Iron	Elastomer-Lined



VC(R) SERIES
(Rubber-Lined)



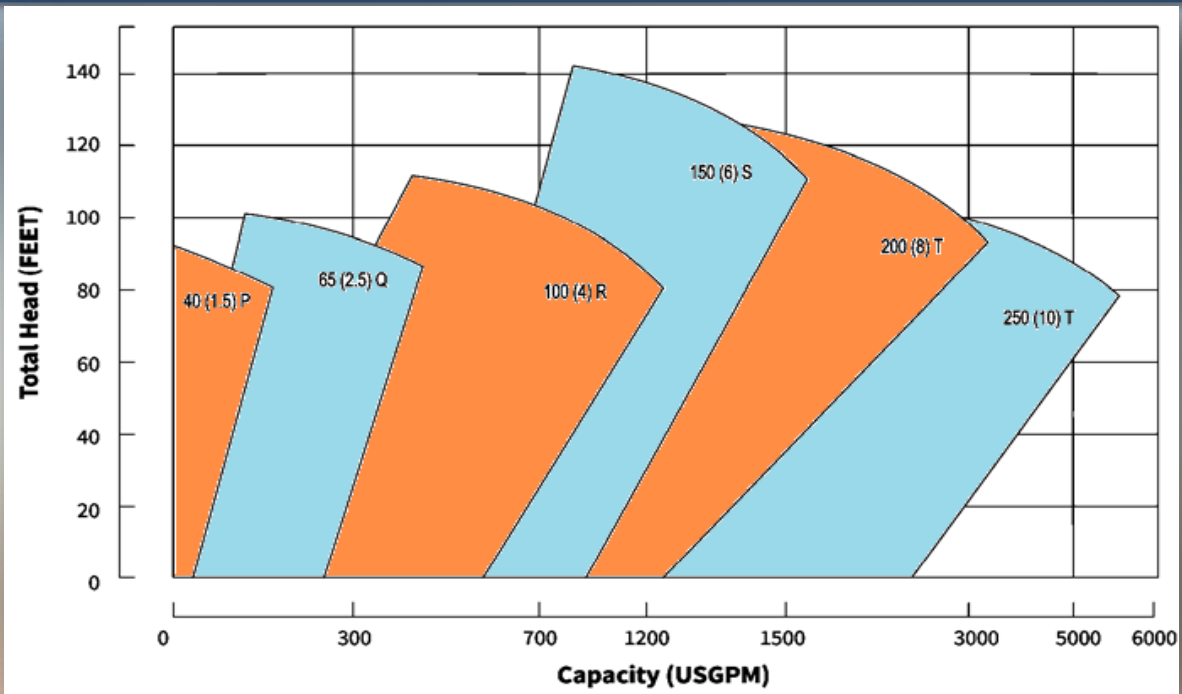
VC SERIES
(with agitator)



VCS SERIES
(Recessed Impeller)

VC(R) Vertical Cantilever Pumps

HYDRAULIC COVERAGE – 60 Hz



BATTLE M T N PUMPS **DETAILS**

MODELS	PUMP SIZE AVAILABLE	BEARING FRAME	BEARING CAPACITY (HP)	IMPELLER & LINER MATERIALS	WEIGHT (lbs)
VC	1.5/40	P	20	Hard Metals, Chrome, and Elastomer covering available. Please contact ATLAS direct for any specialized requests!	629
	2.5/65	Q	40		953
	4/100	R	100		1911
	6/150	S	150		3830
	8/200	S	150+		6800
VC (R)	1.5/40	P	20		550
	2.5/65	Q	40	850	
	4/100	R	100	1700	
	6/150	S	150	3350	

Parts you need...

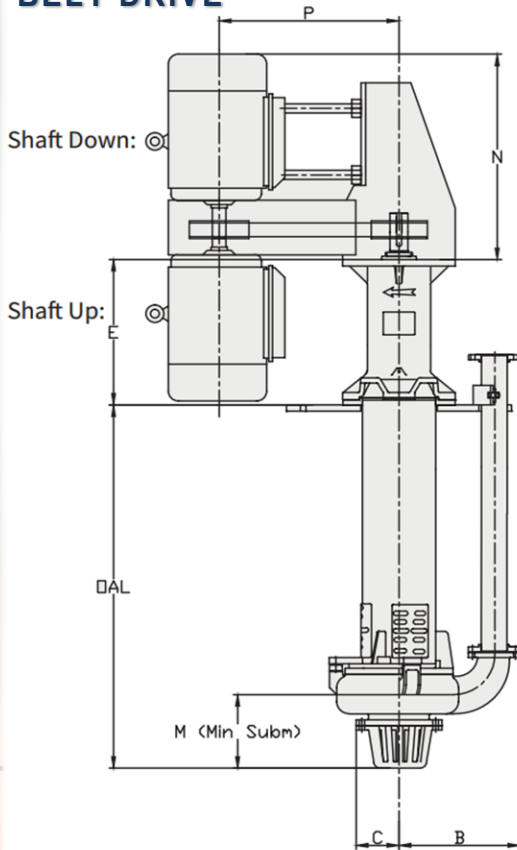


...without the wait

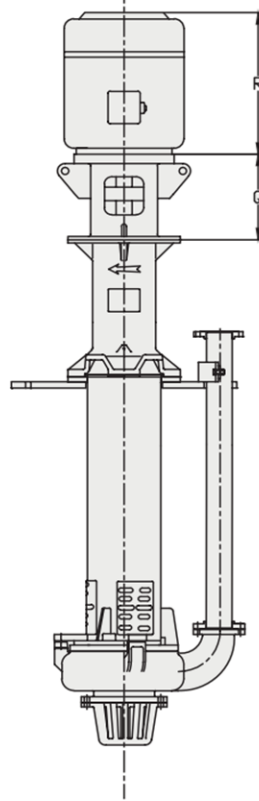
VC(R) Vertical Cantilever Pumps

BARE PUMP – Dimensional Drawing

BELT DRIVE



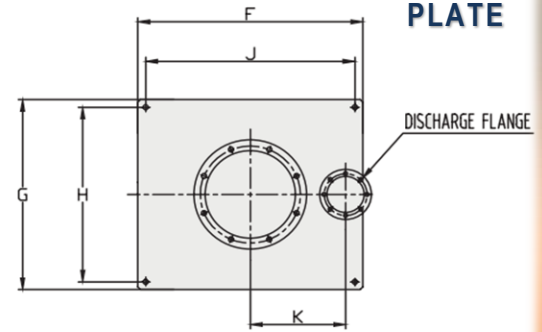
DIRECT DRIVE



Pump Size* (in/mm)	Length Code	Length (in/mm)
1.5 / 40	E*	36 / 900
	G	48 / 1200
2.5 / 65	E	36 / 900
	G*	48 / 1200
	J	60 / 1500
4 / 100	G	48 / 1200
	J*	60 / 1500
	L	72 / 1800
6 / 150	J	60 / 1500
	L*	72 / 1800
	N	84 / 2100
8 / 200	J	60 / 1500
	L*	72 / 1800
	N	84 / 2100
10/250	J	60 / 1500
	L*	72 / 1800
	N	84 / 2100

* Standard Length

MOUNTING PLATE

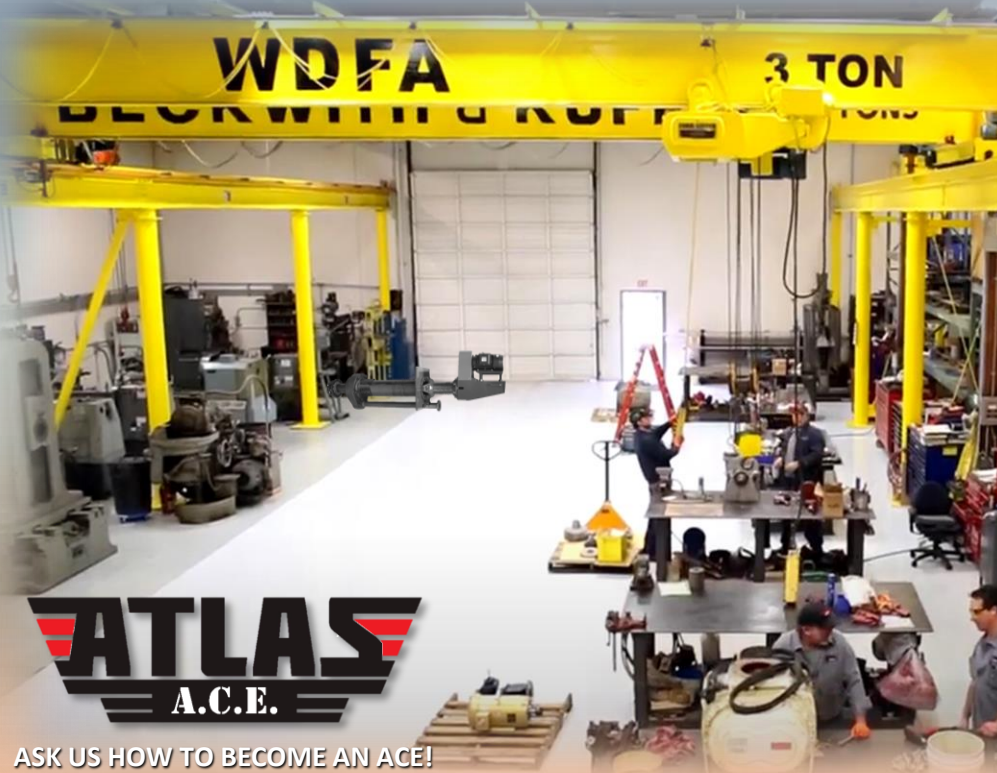


Pump Size* (in/mm)	Bearing Frame	Model	B	C	E	F	G	H	J	K	L	M	N**	P**	Q	R**	Weight (lbs)
1.5 / 40	P	VC	11.22	6.02	14.96	19.68	19.68	17.71	17.71	8.07	5.00	6.85	28.85	26.57	9.67	24.76	629
1.5 / 40	P	VCR	10.43	6.89	14.96	19.68	19.68	17.71	17.71	8.07	5.00	6.85	28.85	26.57	9.67	24.76	550
2.5 / 65	Q	VC	15.70	9.09	19.37	25.77	25.77	24.41	24.41	11.22	7.00	10.43	36.35	31.25	11.41	26.81	953
2.5 / 65	Q	VCR	14.98	10.23	19.37	25.77	25.77	24.41	24.41	11.22	7.00	10.43	36.35	31.25	11.41	26.81	850
4 / 100	R	VC	21.18	12.48	26.06	39.37	34.25	31.49	36.61	15.74	9.01	5.47	44.92	40.15	16.37	37.79	1,911
4 / 100	R	VCR	21.06	13.07	26.00	639.37	34.25	31.49	36.61	15.74	9.01	15.47	44.92	40.15	16.37	37.79	1,700
6 / 150	S	VC	26.37	14.37	34.44	43.30	43.30	40.56	40.56	19.68	11.02	18.70	51.61	47.24	18.74	39.80	3,830
6 / 150	S	VCR	26.37	15.74	34.44	43.30	43.30	40.56	40.56	19.68	11.02	18.70	51.61	47.24	18.74	39.80	3,350
8 / 200	S	VC	31.69	17.32	34.56	51.18	47.24	43.30	47.24	23.62	13.50	21.65	51.69	51.18	18.74	39.80	6,800
10/250	S	VC	36.61	18.50	39.73	68.89	57.00	53.14	65.00	27.55	16.00	27.00	61.88	68.89	22.00	49.00	9,000



ACCELERATE Your ROI. Ask for ATLAS.

Certified Service & Repair



ASK US HOW TO BECOME AN ACE!

Our machine shops are among the best in the industry. Covering a combined total of 50,000+ square feet, you can rest assured that we have the parts and capabilities needed to get your job done right the first time, every time.

Looking for OEM Replacement Parts? We have them!

We understand how critical unplanned downtime is to your business, which is why we offer

24-7-365 EMERGENCY Service!

Service ... to the MAX



Service to Exceed Expectations

Mountain Born ...



... Atlas-Tough[®]

Contact us today for your slurry equipment needs. Let us partner with you to improve your plant's operations!

1-866-808-2950

: www.atlaseqco.com

ATLAS
EQUIPMENT CO.

Atlas Equipment Co. II, Inc.
1313 South 96th Street
Seattle, WA 98108

Copyright © 2022 Atlas Equipment Co., II, LLC Designed by BDS