

ATLAS

EQUIPMENT CO.

QUOTES IN HOURS. PARTS IN DAYS.



Scan to View Online.

Slurry Pump Parts





In a crowd of manufacturers, maximum service is providing OEM-quality, on-demand support, and ***In-Stock*** availability.

Heavy-Duty Pump Parts

For two decades, Atlas parts have handled the toughest, most abrasive applications.

All OEM-replacement parts adhere to relevant ANSI & ASTM standards and are known to last as long – or longer – than OEM parts.

Benefits of Atlas parts include:

Availability – High usage parts typically ship in days, not weeks.

Increased wear life – Atlas parts shown to increase wear life by 30%+*

Lower NPSH requirements – Parts improve hydraulic performance and extend wear life*

Power savings – lower power consumption required*

Cost reduction – higher efficiency gained over a longer operation time*

Retrofit – Atlas wear parts retrofit to your current legacy slurry pumps

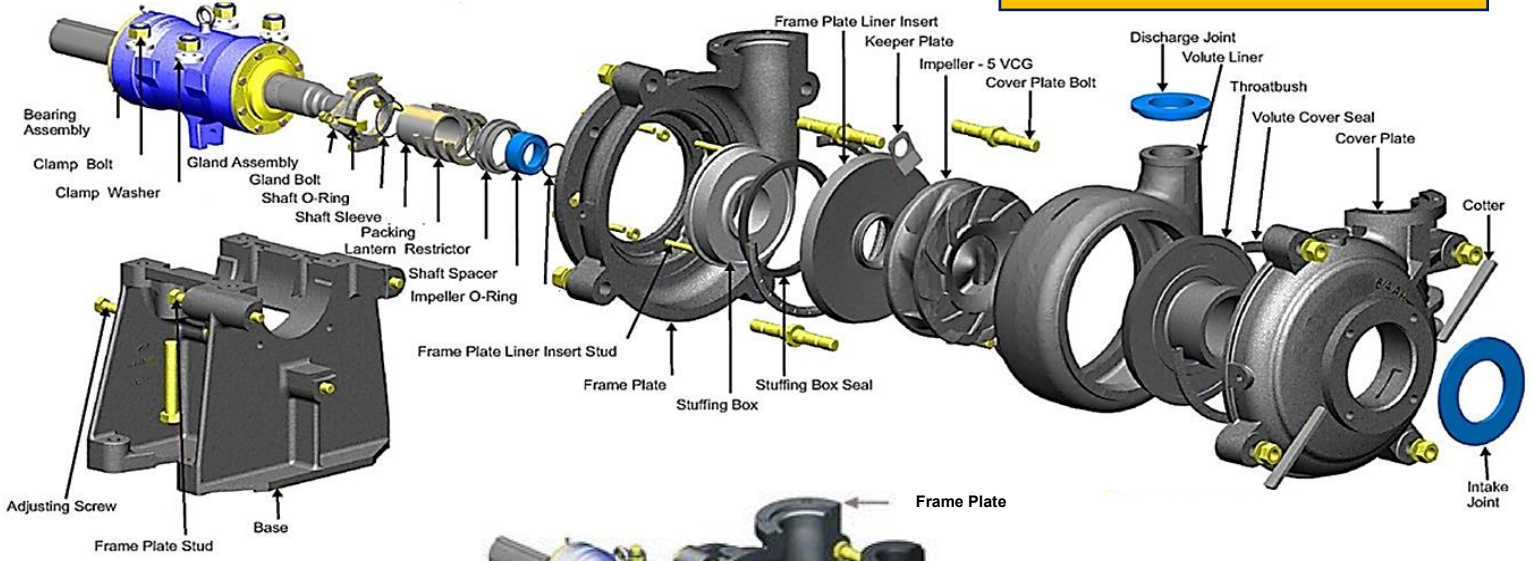
Material combos available – metal, rubber and other special construction



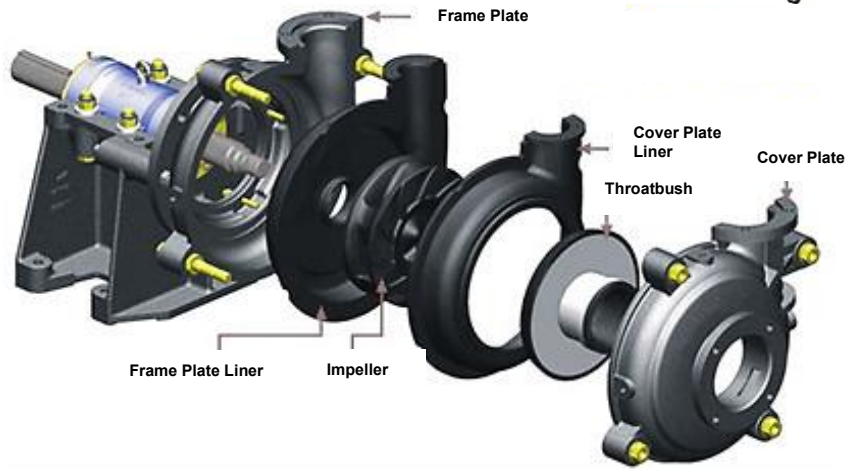
**Based on real distributor feedback when using Atlas system head-curve data for pump selection improvement(s).*

WX & VC Pumps – Parts Exploded View

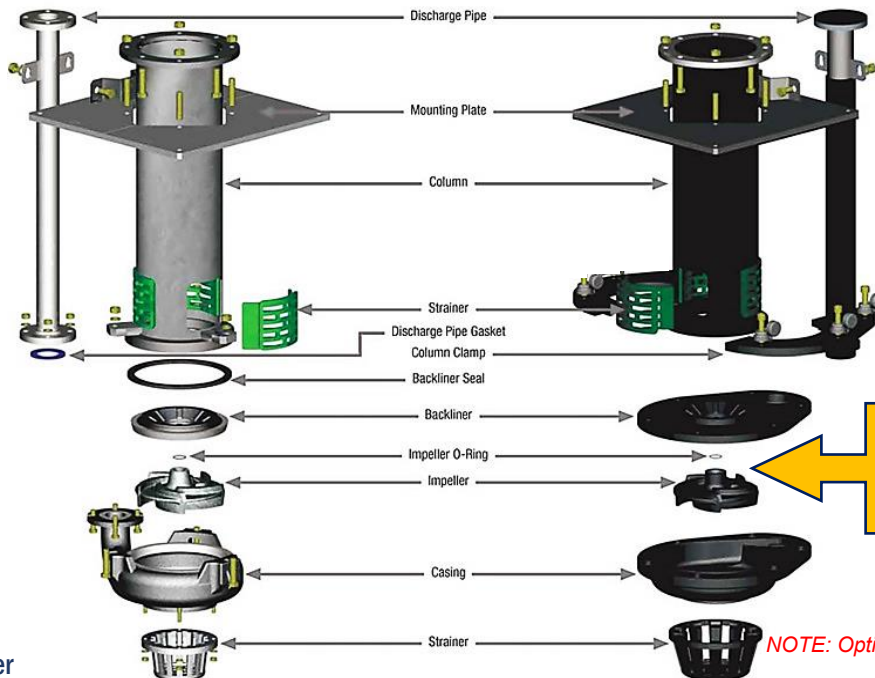
WX Hard Metal:



WXR Rubber-Lined:



VC Model Parts:



Atlas VC, VCR =
Warman SP, SPR
100% Interchangeable

Double-Suction Design
Optional Recessed Impeller

NOTE: Optional all metal agitator not shown.

Hard Metal Parts

On your mark...

Get set...

FLOW!

Our metal parts inventory gets your equipment up and running – *FAST.*



Closed Impeller



Semi-Open Impeller



Pump Casing



Slurry Pump Volute



Gland Assembly



Lantern Ring



Stuffing Box



Mechanical Seal



Pump Volute Liner



Pump Volute Liner



Throatbush



FPL Insert



Frame Plate



Cover Plate



Expeller Ring/ Stuffing Box



Expeller



Pump Shaft



Shaft Sleeve



Bearing Assembly



Base



U.S.A. Warehouses

NOTE: Not a complete listing of available parts.

If in stock, Atlas can ship your urgent parts in hours!

Elastomer-Lined Parts

We

Burn Rubber

...so you can too.

Don't burn money with late parts, buy Atlas parts instead and get *FLOWING*.



Stuffing Box Seals



Frame Plate Liner
(Rubber)



Cover Plate Liner
(with integral throatbush)



Cover Plate Liner



Throatbush



Cover Plate Liner
(Urethane)



Impeller



Rubber Strainers

Atlas 4x3 WXR
Bare Pump



Expeller



Impeller (Urethane)



Cover Plate Liner-Urethane (with integral throatbush)



Stuffing Box Seals

NOTE: Not a complete listing of available parts.

Materials of Construction

Pump Component Material List

PUMP COMPONENT	MATERIAL	SPECIFICATION	BRINELL	APPLICATION	CODE	
Liners & Impellers	Hard Metal	27% Chrome white Iron	600+	For higher wear applications with pH: 5-12.	A05	
		30% Chrome White Iron (Low Carbon)	320+	For lower PH applications (FGD). Also used for low sour applications & desulfurization with pH of 4+	A49	
		30-35% Chrome, white/White iron	400+	Phosphoric/Sulfuric Acid, FGD App's.	A51	
	Rubber	Standard Rubber Impeller				R08
		Standard Rubber Liner				R26
		SOFT Natural Rubber				R33
		Natural Rubber				R55
	Polyurethane	Neoprene				S42
Impeller & Liner					U38	
Expeller & Expeller Ring	Metal	27% Chrome White Iron	600+	For higher wear applications with pH: 5-12.	A05	
		White Iron			G01	
Stuffing Box	Metal	White Iron Ductile Iron			G01 D21	
Frame/Cover plate, bearing housing & base	Metal	White Iron			G01	
		Ductile Iron			D21	
Shaft	Metal *	Carbon Steel			E05	
Shaft Sleeve Lantern Ring/Restrictor Neck Ring/Gland Bolt	Stainless Steel	4Cr13			C21	
		304SS			C22	
		316SS			C23	
Joint Rings & Seals	Rubber	Butyl Rubber	60 Shore A	Halobutyl plus fillers	S21	
		EPDM			S01	
		Nitrile			S10	
		Hypalon			S31	
		Neoprene	50 Shore A	Polychloroprene plus fillers	S44 S42	
	Viton			S50		

*Alternative shaft material options available.

NOTE: Some materials are subject to foundry availability and market conditions.

Atlas Parts Availability Table – Warman®

Atlas parts available for legacy Warman® pumps:

- Warman® Models: AH, AHR, M, MR, G, HH, SP, SPR, L & LR

Sizes	WX(R) = AH(R)		WM(R)=M(R)		WG=G	WXH=HH	Atlas Model = Warman Model 100% Interchangeable	VC(R) = SP(R)		WL(R)=L(R)	
	METAL	RUBBER	METAL	RUBBER	METAL	METAL		METAL	RUBBER	METAL	RUBBER
	Wet End	Wet End	Wet End	Wet End	Wet End	Wet End		Wet End	Wet End	Wet End	Wet End
1.5 x 1	✓	✓			■	■					
2x1.5	✓	✓			✓	■					
3x2	✓	✓			✓	✓	40**	✓	✓		
4x3	✓	✓			✓	✓	65**	✓	✓		
6x4	✓	✓			✓	✓	100**	✓	✓		
8x6	✓	✓			✓	■	150**	✓	✓		
10x8	✓	✓	✓	✓	✓		200**	✓	■		
12x10	✓	✓	✓	✓	✓		250				
14x12	✓	✓			■		300			✓	✓
16x14	✓	✓			■		350			✓	✓
18x16	✓	■			■		400			✓	✓
20x18	✓	■			■		450			✓	✓
24/20							550			■	■
28/24							600			■	■
32/28							650			■	■

✓ Available ■ Under Development

**** Please advise Atlas reps of required pump length.**

Warman® is a division of The Weir Group PLC

*Atlas Equipment Company, II, LLC® is a registered name and trademark. Atlas Equipment Company, II, LLC® does not represent, or is not in any way affiliated with Warman® a registered trademark of Weir Slurry Group Inc. All names, numbers, symbols and descriptions are used for reference purposes only and do not imply that any part or pump listed is the product of Weir pumps.

Atlas Parts Availability Table – Galigher®

Atlas parts available for legacy Galigher® pumps:

- Galigher® / Ash* Models: 1000 Series- 1100, 1200; 5000 Series- 5100, 5200; Ash- See below.

Atlas GX1 = Galigher 1000 Series						Atlas GX5 = Galigher 5000 Series					
Sizes	METAL	RUBBER	Sizes	METAL	RUBBER	Sizes	METAL	RUBBER	Sizes	METAL	RUBBER
	Wet End	Wet End		Wet End	Wet End		Wet End	Wet End		Wet End	
1.5 x 24"	✓	✓	6 x 24"	✓	✓	1.5 x 24"	✓	✓	6 x 24"	✓	✓
1.5 x 36"	✓	✓	6 x 36"	✓	✓	1.5 x 36"	✓	✓	6 x 36"	✓	✓
1.5 x 48"	✓	✓	6 x 48"	✓	✓	1.5 x 48"	✓	✓	6 x 48"	✓	✓
1.5 x 60"	✓	✓	6 x 60"	✓	✓	1.5 x 60"	✓	✓	6 x 60"	✓	✓
2.5 x 24"	✓	✓	6 x 72"	✓	✓	2 x 24"	✓	✓	6 x 72"	✓	✓
2.5 x 36"	✓	✓	8 x 24"	✓	✓	2 x 36"	✓	✓			
2.5 x 48"	✓	✓	8 x 36"	✓	✓	2 x 48"	✓	✓			
2.5 x 60"	✓	✓	8 x 48"	✓	✓	2 x 60"	✓	✓			
3.5 x 24"	✓	✓	8 x 60"	✓	✓	3 x 24"	✓	✓			
3.5 x 36"	✓	✓	8 x 72"	✓	✓	3 x 36"	✓	✓	Model		
3.5 x 48"	✓	✓	8 x 84"	✓	✓	3 x 48"	✓	✓	125MCC	✓	✓
3.5 x 60"	✓	✓	8 x 120"	✓	✓	3 x 60"	✓	✓	150MCC	✓	✓
3.5 x 72"	✓	✓				3 x 72"	✓	✓	200MCC	✓	■
4 x 24"	✓	✓				4 x 24"	✓	✓	6x6SRH	■	✓
4 x 36"	✓	✓				4 x 36"	✓	✓	6x6SRC	■	✓
4 x 48"	✓	✓				4 x 48"	✓	✓			
4 x 60"	✓	✓				4 x 60"	✓	✓			
4 x 72"	✓	✓				4 x 72"	✓	✓			

ASH Parts Available	
METAL	RUBBER
Wet End	Wet End
✓	✓
✓	✓
✓	■
■	✓
■	✓

✓ Available ■ Under Development

NOTE: Please advise Atlas reps of required pump length.

Galigher® is a brand of The Weir Group PLC
 *Atlas GX product line still under development in pre-launch phase. Complete Galigher drop-in replacement pumps are available as unbranded Atlas equivalents.
 *Atlas is a producer of aftermarket Galigher® parts and is not affiliated with Galigher® or Weir Minerals.
 *Ash Models with available parts includes: Complete ASH 125MCC & 150MCC bare pumps, ASH 200MCC impeller in high chrome, ASH 6x6 SRH/SRC wet ends in natural rubber and neoprene; suction liner, suction plate, drive liner, drive plate, impeller in natural rubber and high chrome.
 *Atlas is a producer of aftermarket Ash (AX) pumps and parts and are not affiliated with Ash® or Weir Minerals.

CHANGE

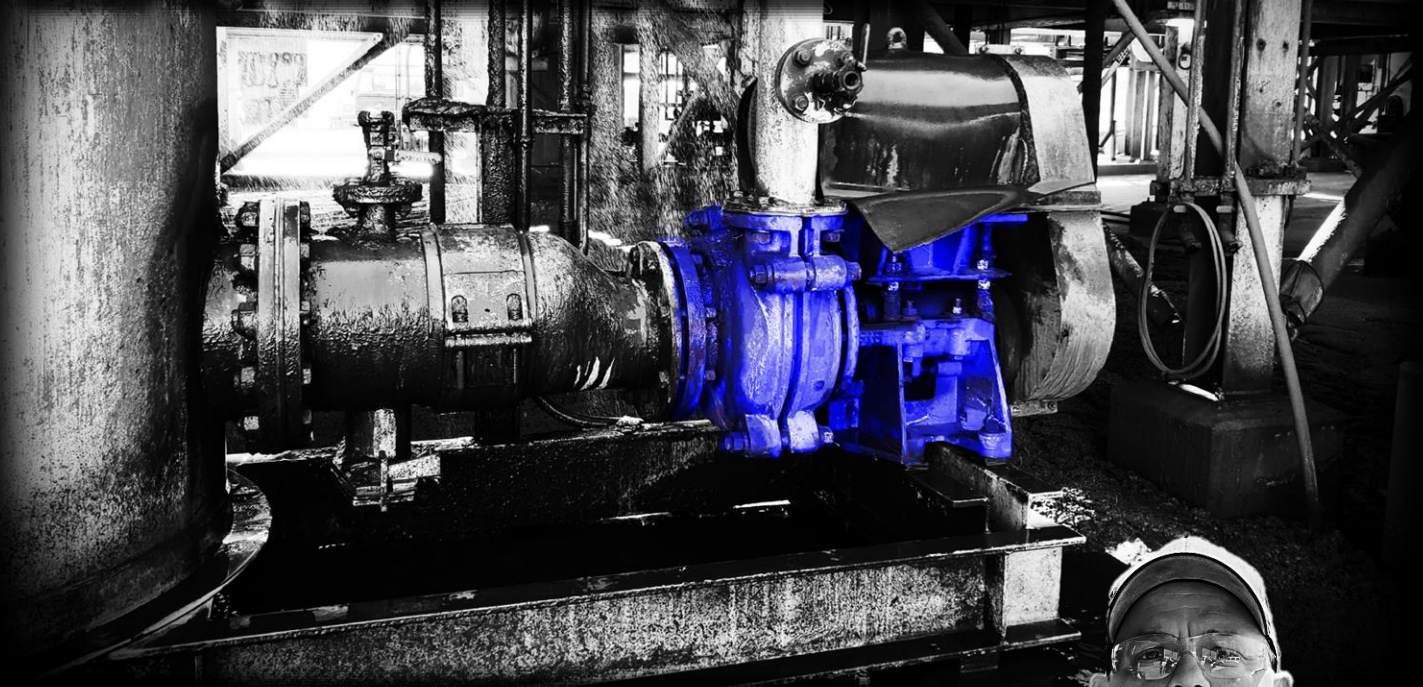
ATLAS
EQUIPMENT CO.

YOUR



Atlas products interchange with legacy Warman, Galigher, Ash and many other popular slurry pump brands.

ACHINE



Quotes in HOURS. Parts in DAYS.



866-808-2950
sales@atlaseqco.com

Atlas Equipment Company II, LLC does not represent, or is not in any way affiliated With Warman®, Galigher® or Ash® which are registered trademarks of Weir Slurry Group Inc. All names, numbers, symbols and descriptions are used for reference purposes only and do not imply that any part or pump listed is the product of Weir.

