

QUOTES IN HOURS. PARTS IN DAYS.



ATLAS
EQUIPMENT CO.

VC Series



Scan to View Online

BATTLE-TESTED

for the harshest slurry applications.

VC Series (Vertical Cantilever)

Atlas VC pumps are found in many various applications:

Pump Applications	VC(R)
Float Froth or Entrained Air Sumps	X
Coarse Sand	X
Coarse Tailings	X
Phosphate Matrix	X
Fine Tailings	X
Heavy Media	X
Corrosives and Abrasives	X
Gypsum	X
Coal Washing & Coal Pile Runoff	X
Mining, Power & Paper Facilities	X

NOTE: Not all applications shown



Atlas 65VC Pump
(Metal)



Atlas 40VCR Pump
(Rubber)

Rugged construction to guarantee...

MAXIMUM

service and dependability.



VC Series (Vertical)

Features:

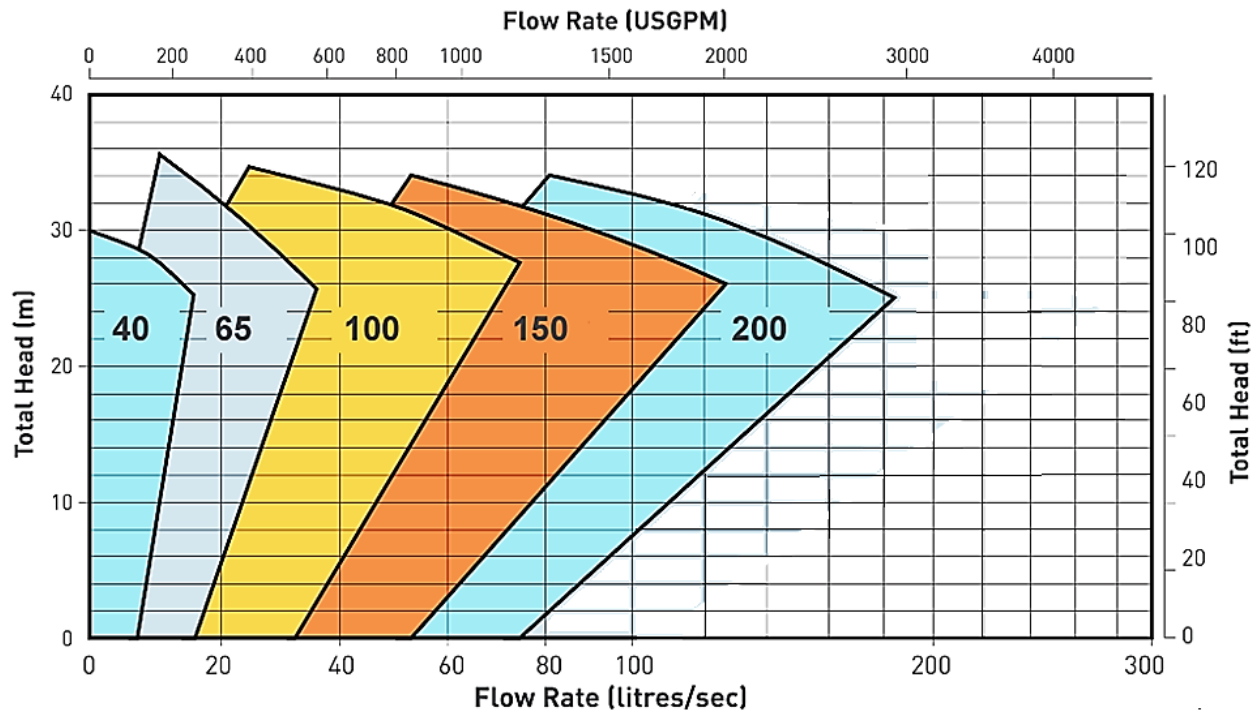
- Built for abrasive & high-density slurry transfer from sumps, pits, and other submersible sources
- Cantilevered shaft design; no shaft seal for easy maintenance
- No Submerged Bearings for easy maintenance
- Double-suction design; No Air-Binding
- Rugged construction, with 27% Chrome, white iron or elastomer (rubber) to handle a wide range of applications and slurry types
- Available in sizes from 40mm to 200mm discharge
- 100% interchangeable with legacy slurry pump brands*
- Impellers are interchangeable for like-size pumps
- Suction extensions available to extend pumping depth
- ISO-9001 Certified Manufacturing & Documentation
- Manufactured using the highest quality materials to ensure reliability and extended service life

**Crossover chart available upon request.*

Pump Performance

VC(R) Pumps

Performance curves below are shown for specific gravity of 1.0. Contact Atlas to discuss pump selections for specific applications.



40VC with Suction Extension



150VCR

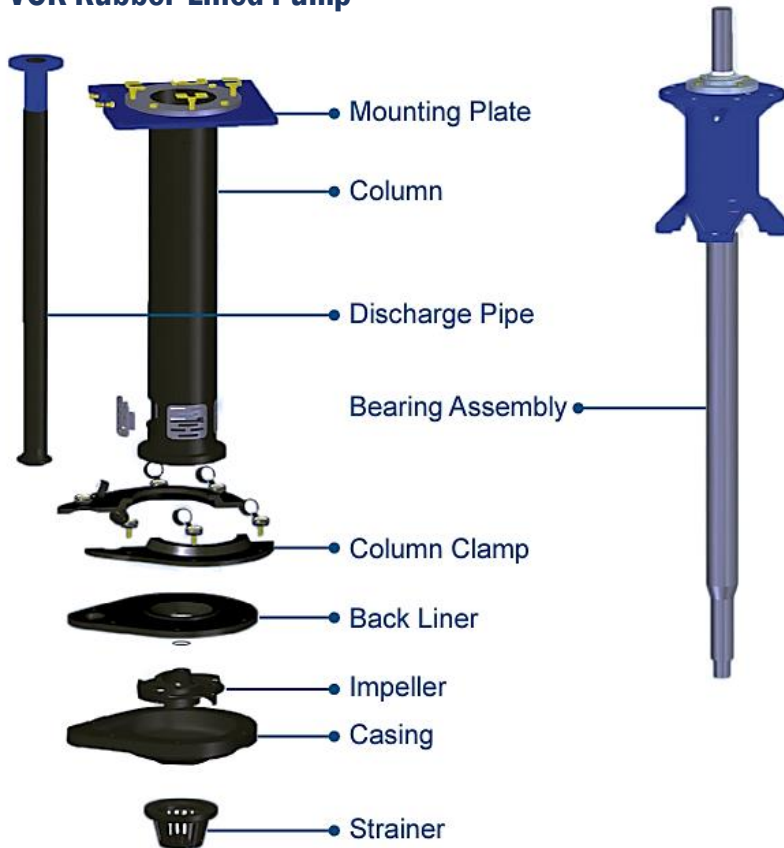


65VC

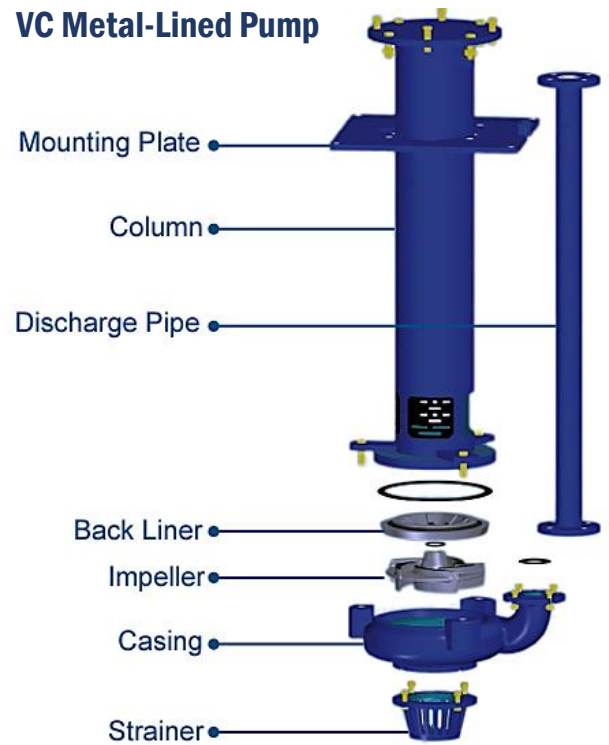
Pump Component Data

VC Pump Component View

VCR Rubber-Lined Pump

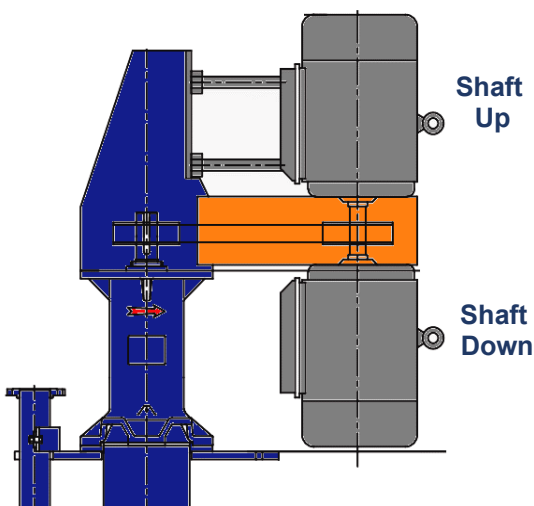


VC Metal-Lined Pump

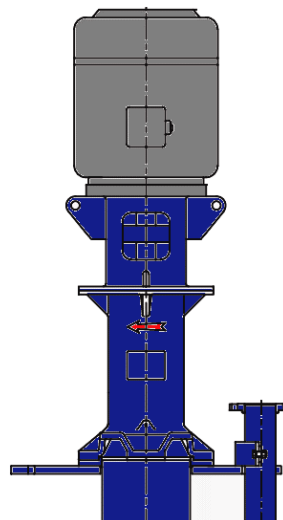


VC Pump Options

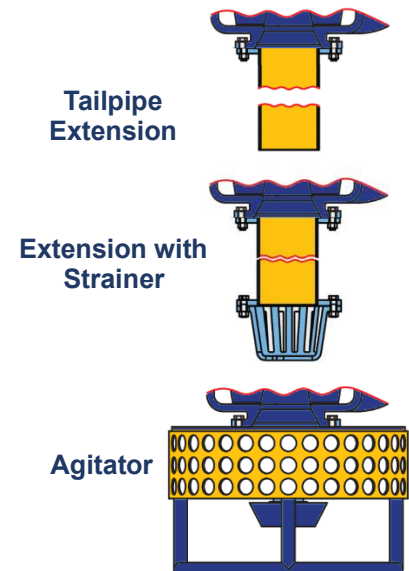
Belt-Driven Options:



Direct Drive



Tailpipe Configurations:



Pump Material Data

VC Materials of Construction

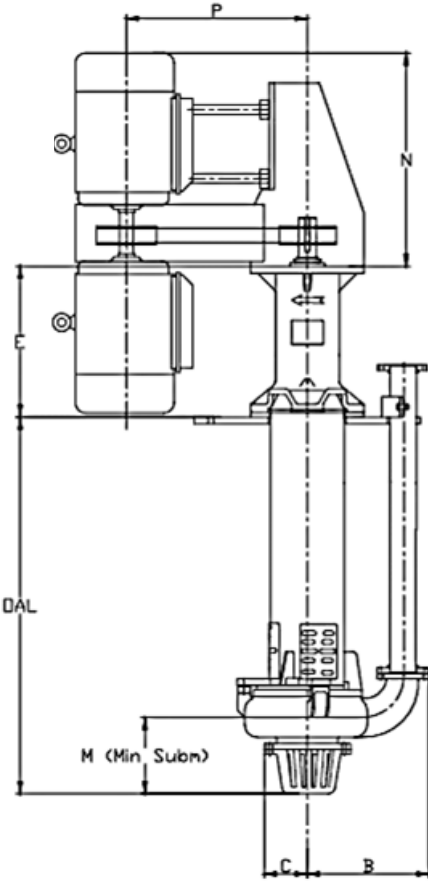
Part Description	VC (Metal-Lined)	VCR (Rubber-Lined)
Shaft	4140 High Tensile Steel	Elastomer-Lined 4140 High Tensile Steel
Bearing Assembly	Timken/SKF (Ductile Iron Body)	Timken/SKF (Ductile Iron Body)
Casing	27% Chrome White Iron	Elastomer (Rubber or other)
Back Liner	27% Chrome White Iron	Elastomer (Rubber or other)
Impeller	27% Chrome White Iron	Elastomer-Lined
Mounting Plate	1018 Mild Steel	1018 Mild Steel with Elastomer Covering
Strainer(s)	Cast Iron or Ductile Iron	Elastomer-Lined



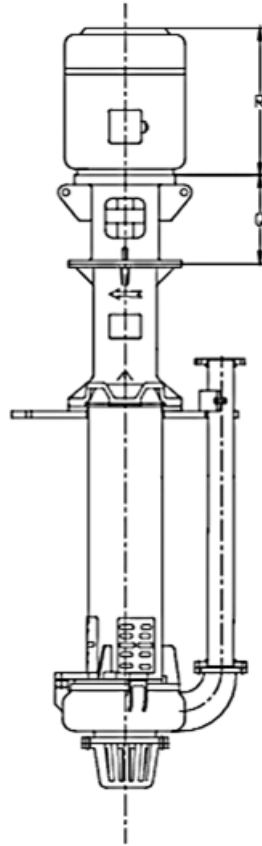
Pump Dimensional Data

VC Series - General Arrangement Drawing

Belt-Driven Arrangement

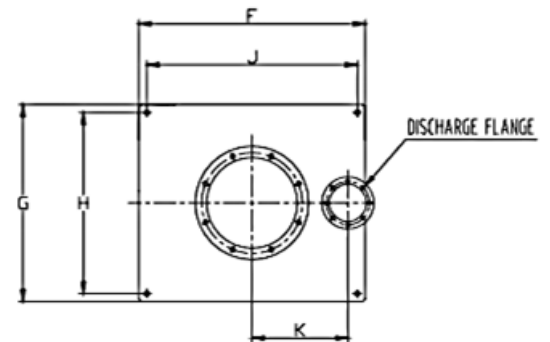


Direct-Driven Arrangement



Pump Size* (in/mm)	Length Code	Length (in/mm)
1.5 / 40	E*	36 / 900
	G	48 / 1200
	J	60 / 1500
2.5 / 65	E*	36 / 900
	G	48 / 1200
	J	60 / 1500
4 / 100	G	48 / 1200
	J*	60 / 1500
	L	72 / 1800
6 / 150	J	60 / 1500
	L*	72 / 1800
	N	84 / 2100
8 / 200	J	60 / 1500
	L*	72 / 1800
	N	84 / 2100
10 / 250	J	60 / 1500
	L*	72 / 1800
	N	84 / 2100

*Standard Length



Pump Size* (in/mm)	Bearing Frame	Model	B	C	E	F	G	H	J	K	L	M	N**	P**	Q	R**	Weight (lbs)
1.5 / 40	P	VC	11.22	6.02	14.96	19.68	19.68	17.71	17.71	8.07	5.00	6.85	28.85	26.57	9.67	24.76	629
1.5 / 40	P	VCR	10.43	6.89	14.96	19.68	19.68	17.71	17.71	8.07	5.00	6.85	28.85	26.57	9.67	24.76	550
2.5 / 65	Q	VC	15.70	9.09	19.37	25.77	25.77	24.41	24.41	11.22	7.00	10.43	36.35	31.25	11.41	26.81	953
2.5 / 65	Q	VCR	14.98	10.23	19.37	25.77	25.77	24.41	24.41	11.22	7.00	10.43	36.35	31.25	11.41	26.81	850
4 / 100	R	VC	21.18	12.48	26.06	39.37	34.25	31.49	36.61	15.74	9.01	15.47	44.92	40.15	16.37	37.79	1,911
4 / 100	R	VCR	21.06	13.07	26.00	639.37	34.25	31.49	36.61	15.74	9.01	15.47	44.92	40.15	16.37	37.79	1,700
6 / 150	S	VC	26.37	14.37	34.44	43.30	43.30	40.56	40.56	19.68	11.02	18.70	51.61	47.24	18.74	39.80	3,830
6 / 150	S	VCR	26.37	15.74	34.44	43.30	43.30	40.56	40.56	19.68	11.02	18.70	51.61	47.24	18.74	39.80	3,350
8 / 200	S	VC	31.69	17.32	34.56	51.18	47.24	43.30	47.24	23.62	13.50	21.65	51.69	51.18	18.74	39.80	6,800
10/250	S	VC	36.61	18.50	39.73	68.89	57.00	53.14	65.00	27.55	16.00	27.00	61.88	68.89	22.00	49.00	9,000

NOTE: All dimensions in inches unless noted

*Discharge Pipe ID

**Based on Max Motor Size

CHANGE

ATLAS
EQUIPMENT CO.

YOUR



Atlas products interchange with legacy Warman, Galigher, Ash and many other popular slurry pump brands.

MINE

Quotes in **HOURS**. Parts in **DAYS**.



866-808-2950
sales@atlaseqco.com

Atlas Equipment Company II, LLC does not represent, or is not in any way affiliated With Warman®, Galigher® or Ash® which are registered trademarks of Weir Slurry Group Inc. All names, numbers, symbols and descriptions are used for reference purposes only and do not imply that any part or pump listed is the product of Weir.

